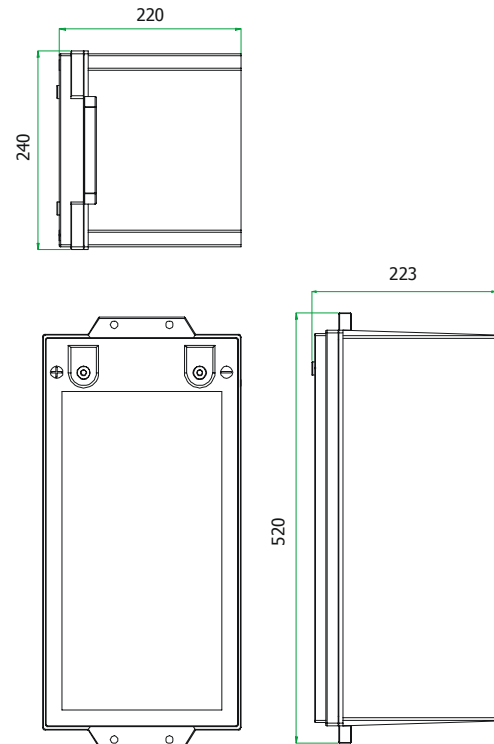


TECHNICAL DATA

Nominal voltage U_n	12 V	
Nominal capacity (C_{20} @ 20°C)	200 Ah	
Technology - Separator	AGM	
Designed service life (years)	10 - 12	
Classification according to EUROBAT	High Performance	
Dimensions	Length	520 mm
	Width	240 mm
	Height	220 mm
Weight	66,0 kg	
Terminals	Thread M 8	
Max. tightening torque	8-9 Nm	
Available capacity at 20°C at 1,75 V/cell	20 h	200,0 Ah
	10 h	178,1 Ah
	5 h	161,4 Ah
	3 h	150,6 Ah
	1 h	138,0 Ah
Capacity C_{20} in dependence on operating temperature	40°C	102 %
	20°C	100 %
	0°C	85 %
	-15°C	65 %
Range of operating temperatures	charging	-15°C ÷ + 50°C
	discharging	-20°C ÷ + 60°C
Internal resistance	< 2,0 mΩ	
Short circuit current (20°C)	5400 A	
Constant voltage charging 15-25°C	Buffer operation	2,25-2,30 V/cell
	Cyclic operation	2,35-2,40 V/cell
Temperature compensation	Buffer operation	± 3,0 mV/°C/cell
	Cyclic operation	± 5,0 mV/°C/cell
Max. charge current	50,0 A	
Self-discharge during storage at 20°C	Capacity after 1 month	98 %
	Capacity after 3 months	94 %
	Capacity after 6 months	86 %



DISCHARGE CHARACTERISTICS

Cut-off voltage	Discharge time (minutes), watts / cell at 20°C												
	5	10	15	20	25	30	35	40	45	60	90	120	180
1,85 V/cell	787,8	673,1	539,4	449,9	394,8	360,2	321,2	296,0	275,0	229,0	165,0	130,0	91,9
1,80 V/cell	973,7	782,3	597,9	503,8	435,5	392,7	349,5	324,0	302,0	255,0	180,0	139,0	96,7
1,75 V/cell	1046,5	847,1	656,4	543,4	470,8	415,8	367,6	336,0	314,0	262,0	181,0	140,0	97,0
1,70 V/cell	1073,8	867,4	669,2	561,0	487,9	428,4	372,7	340,0	316,0	264,0	183,0	141,0	98,2
1,65 V/cell	1102,4	889,0	697,3	577,5	496,5	430,5	375,7	342,0	322,0	268,0	187,0	143,0	98,9
1,60 V/cell	1160,9	913,1	705,5	587,4	505,0	436,8	380,8	348,0	327,0	272,0	191,0	146,0	99,4

Cut-off voltage	Discharge time (minutes), Amps at 20°C												
	5	10	15	20	25	30	35	40	45	60	90	120	180
1,85 V/cell	422,5	360,7	287,8	238,7	209,7	190,1	169,7	156,0	144,0	119,0	85,6	67,0	47,1
1,80 V/cell	530,4	425,5	324,1	270,6	233,3	210,0	185,8	172,0	159,0	134,0	93,9	72,0	49,8
1,75 V/cell	577,2	464,8	358,0	294,8	253,6	223,7	195,9	179,0	167,0	138,0	94,7	72,8	50,2
1,70 V/cell	598,0	480,1	368,6	306,9	265,4	232,1	200,0	182,0	168,0	140,0	96,3	73,7	50,9
1,65 V/cell	616,2	494,0	384,9	316,8	270,7	233,1	203,0	183,0	172,0	142,0	98,4	74,9	51,3
1,60 V/cell	651,3	509,3	389,6	322,3	276,1	237,3	206,0	187,0	175,0	144,0	100,0	76,3	51,7

OPERATION FEATURES

- Maintenance-free in respect of electrolyte checks and refilling
- Electrolyte absorbed into a spongy structure of glass fibre separators – technology AGM
- Safe operation ensured by the self-sealing system of safety valves
- Wide range of operating temperatures
- Sealed to exclude any electrolyte leakage
- Energy-efficient plates
- Fast charging
- Casing made of shock resistant slow burning ABS resin
- Low self-discharge level – less than 3% per month
- Compliant with BS6290 Pt 4, IEC 896-2, DIN 43534, EUROBAT
- FAA and IATA approved as safe in transport
- Manufacture compliant with ISO 9001